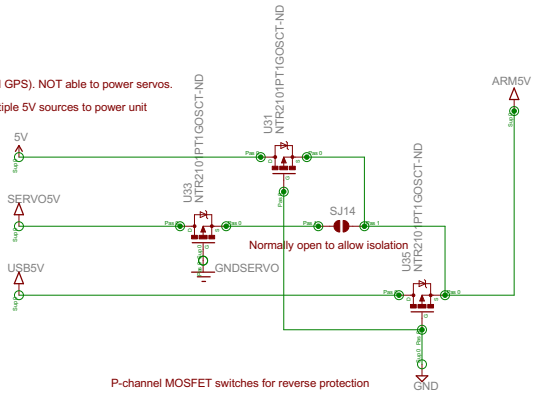
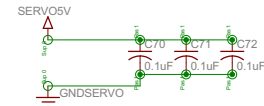
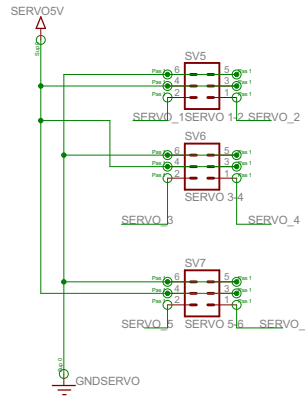
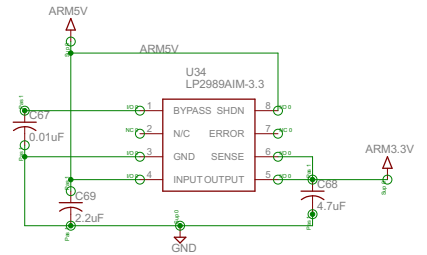
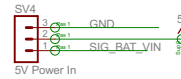


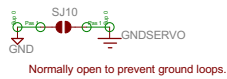
ONLY power unit (500mA draw)w/IMU and GPS). NOT able to power servos.
 Allow multiple 5V sources to power unit



P-channel MOSFET switches for reverse protection

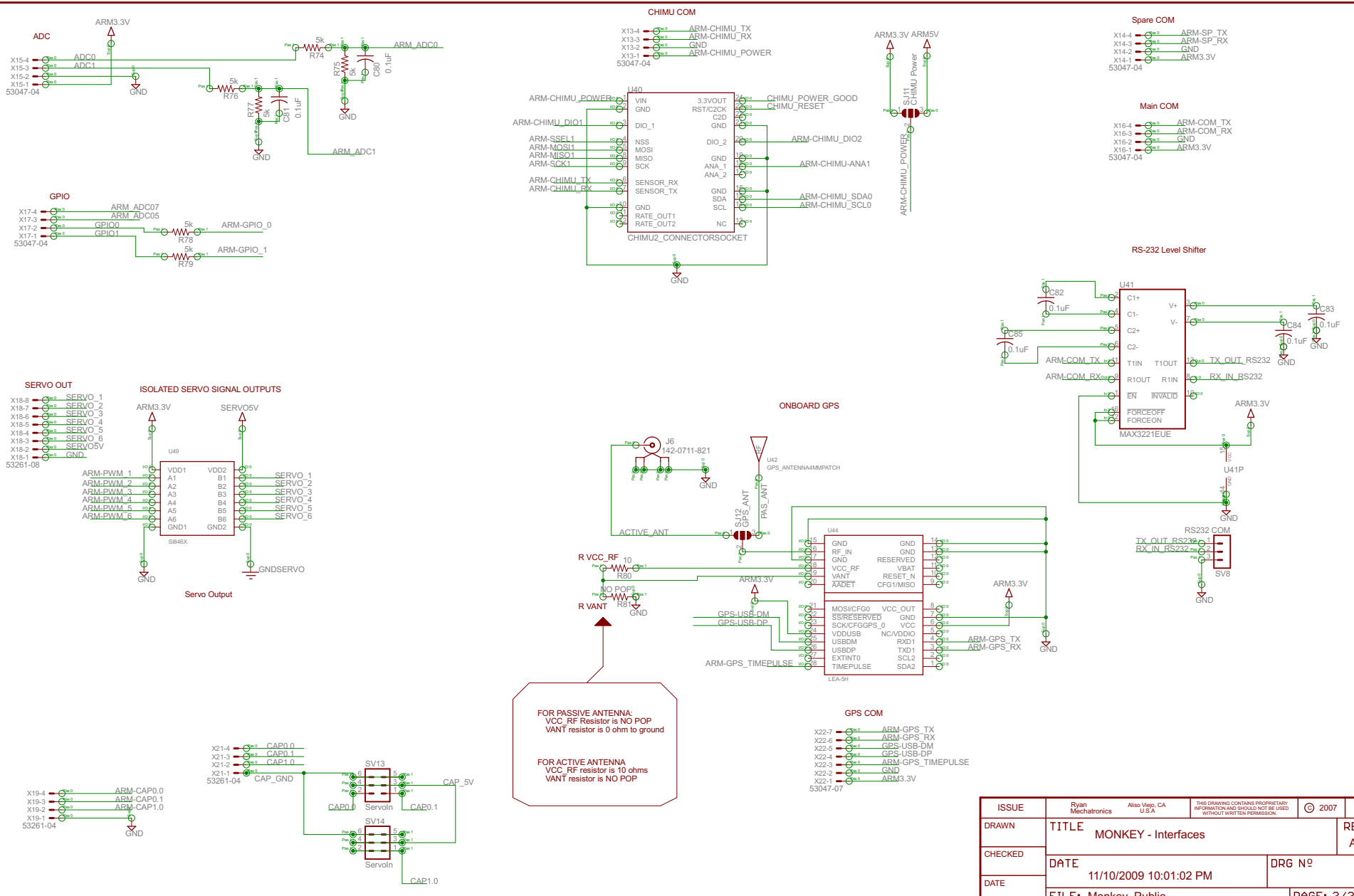


PLACE near connectors in layout to decouple ground bounce



Normally open to prevent ground loops.

ISSUE	Ryan Mechtronics Also Viejo, CA U.S.A.	THIS DRAWING CONTAINS PROPRIETARY INFORMATION AND SHOULD NOT BE USED WITHOUT WRITTEN PERMISSION.	© 2007
DRAWN	TITLE MONKEY - Power Management		REV A
CHECKED	DATE 11/10/2009 10:01:02 PM		DRG N ^o
DATE	FILE: Monkey_Public		PAGE: 1/3



ISSUE	Ryan Mechatronics	Also Vets. CA U.S.A.	THIS DRAWING CONTAINS PROPRIETARY INFORMATION AND SHOULD NOT BE USED WITHOUT WRITTEN PERMISSION.	© 2007
DRAWN	TITLE MONKEY - Interfaces			REV A
CHECKED	DATE 11/10/2009 10:01:02 PM			DRG N°
DATE	FILE: Monkey_Public			PAGE: 3/3